



**MFC**International

*by* RESPIREX

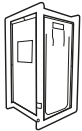
ENGINEERED INFLATABLE PRODUCT SOLUTIONS

**INFLATABLE  
DECONTAMINATION  
SHOWERS**

# Contents



## Single Person Decontamination Shower



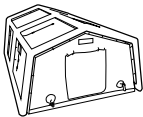
- 03 Description
- 04 Technical Data
- 05 Schematic

## Four Person Decontamination Shower





- 03 Description
- 04 Technical Data
- 05 Schematic
- 05 Standard Equipment & Accessories

## Mass Decontamination Shower



- 03 Description
- 04 Technical Data
- 04 Internal Layout
- 05 Schematic

## Choice of Shower System Couplings

-  **CAMLOCK Coupling System**  
*For a system with CAMLOCK couplings throughout order codes in green*
-  **Storz Coupling System**  
*For a system with Storz D25 couplings throughout order codes in blue*

## Shower System Components

- 14 & 15 Water Storage Pillow Tanks
- 14 & 15 Inlet & Outlet Water Pumps
- 14 & 16 Connectors & Adapters
- 14 Dosatron with Trolley
- 15 Pallet Floor
- 15 Spray Gun & Spray Brush

## Hoses

- 16 Clean Water Hose
- 16 Dirty Water Hose

## Accessories

- 16 Generator
- 17 LED Floodlight
- 17 LED Interior Light
- 17 Electric Inflator
- 18 Heaters & Ducting
- 17 Patient Roller Conveyor
- 18 Water Heater

# Single Decontamination Shower







Lightweight and quick to deploy, the inflatable Single Decontamination Shower from MFC International allows for rapid response in a decontamination scenario. Fully inflatable, the shower can be set up in a matter of minutes, and will stay standing without continuous inflation. With no mechanical framework the shelters are lightweight to transport and compact to store. Showers can be used on hard or soft standing, and guy ropes are provided for securing in position during inclement weather.

Raised floor panels prevent contact with contaminated shower wash-off, which is collected in a chemically resistant sump. Sleeves for pumped extraction of contaminated water are included as standard. Single Decontamination Showers come with a viewing window and optional chemically resistant nitrile rubber gloves to allow assisted decontamination by a third party stood outside of the unit.

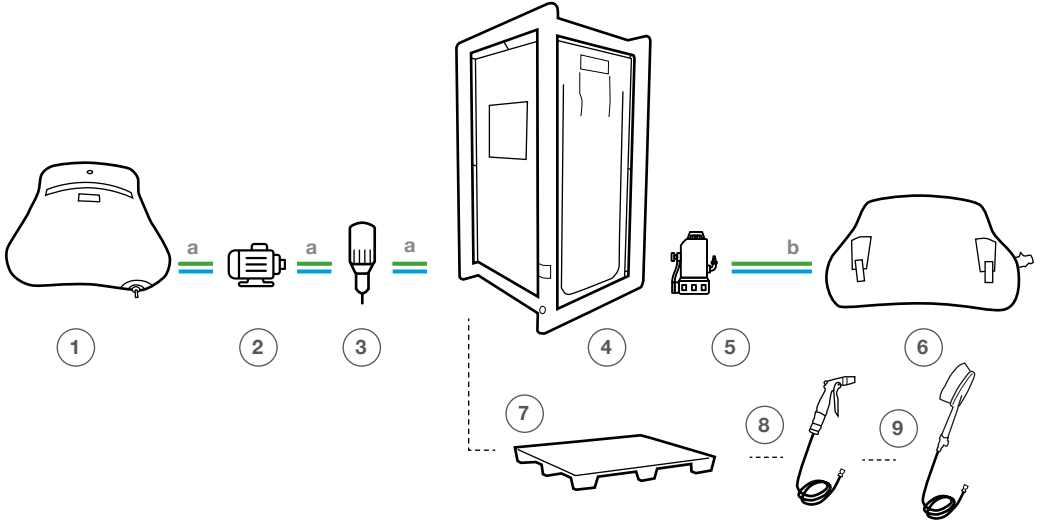
- Lightweight and easily portable
- Set up within a matter of minutes and will stay standing without continuous inflation
- Raised floor panels prevent contact with contaminated shower wash off which is collected in a PVC chemically resistant sump
- Sleeves for pumped extraction of contaminated water are included as standard
- Showers fitted with the optional gloves include sleeves with chemical resistant nitrile rubber gloves on the side of the shower to allow a second person to help wash down the contaminated person
- Can be used on hard or soft standing and guy ropes are provided for securing in position
- Minimal training, servicing and maintenance costs
- Available in Yellow PU material or Orange PVC material

# Single Decontamination Shower

| TECHNICAL DATA                                     | Single - Without Gloves  | Single - With Gloves |
|--|--|----------------------|
| Product Code : <b>Yellow PU</b> (CAMLOCK Coupling) |  DSW022     | DSW022/002           |
| <b>Yellow PU</b> (STORZ Coupling)                  |  DSW022/007 | DSW022/006           |
| Product Code: <b>Orange PVC</b> (CAMLOCK Coupling) |  DSW022/003 | DSW022/004           |
| <b>Orange PVC</b> (STORZ Coupling)                 |  DSW022/008 | DSW022/009           |
| Length (cm)  | 156  | 156                  |
| Int. Length (cm)                                   | 123  | 123                  |
| Width (cm)   | 143  | 143                  |
| Int. Width (cm)                                    | 110  | 110                  |
| Height (cm)  | 263  | 263                  |
| Int. Height (cm)                                   | 243  | 243                  |
| Working Pressure (bar)                             | 0.55   | 0.55                 |
| No. of chambers                                    | 1  | 1                    |
| Air Requirements (ltr)                             | 400  | 400                  |
| Max. Water Inlet Pressure (bar)                    | 3  | 3                    |
| Recommended pump flow-capacity (ltrs)              | 5 ltr/min per nozzle   | 5 ltr/min per nozzle |
| Number of Shower Nozzles                           | 2  | 2                    |
| Number of Shower Hose/Brush Connectors             | 1  | 1                    |
| Number of Tubing Sleeves,                          | 2  | 2                    |
| Pack size (cm)                                     | 70 x 45 x 30   | 70 x 45 x 30         |
| Weight (kg)  | 25   | 25                   |

# Single Decontamination Shower

## SYSTEM SCHEMATIC



## SYSTEM COMPONENTS

- ① Clean water pillow tank - **x1**
- ② Inlet water pump - **x1**
- ③ Dosatron - **x1**
- ④ Single Decon Shower - **x1**
- ⑤ Sump pump - **x1**
- ⑥ Contaminated water pillow tank - **x1**
- ⑦ Pallet floor with pump cutout - **x1**
- ⑧ Hand held spray gun - **x1**
- or*
- ⑨ Hand held brush - **x1**

a Clean Water Hose (green) - **x3**

b Dirty water hose (clear) - **x1**

## SHOWER SUPPLIED WITH

- Valise
- Repair kit
- Inflation hose - 1 m (for use with 8 bar regulator)

## OPTIONS & ACCESSORIES

- External inflatable sump after exit door (inflates with shower)
- Customer branding
- Electric inflator
- 8 bar regulator

# Four Person Decontamination Shower







Lightweight and quick to deploy, the inflatable Four Person Decontamination Unit from MFC International allows for rapid response in a decontamination scenario. The shower has entrance and exit zippered roll-up doors with a separate curtain fitted behind. A detachable internal partition is also provided. The shower system has two separate water feeds allowing the front half of the shower to be fed with water treated with a cleanser or neutralising agent, while the back half can be used to rinse off with clean water.

Raised floor panels prevent contact with contaminated shower wash-off, which is collected in a chemically resistant sump. Sleeves for pumped extraction of contaminated water are included as standard. Showers can be used on hard or soft standing, and guy ropes are provided for securing in position during inclement weather. An optional external sump unit is also available on the exit.

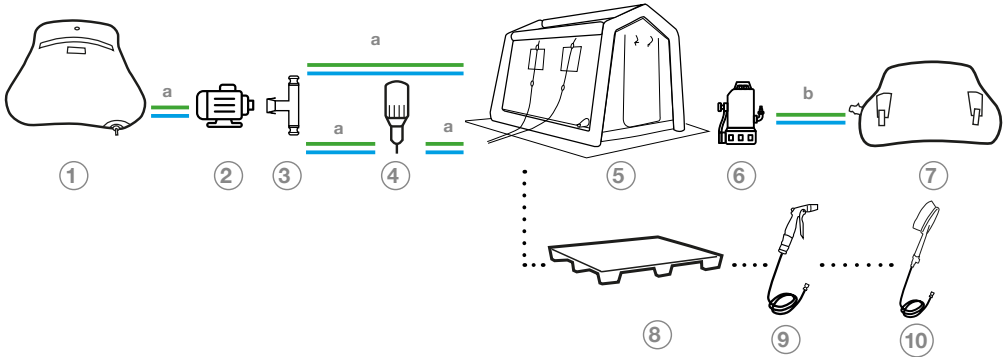
- Lightweight and easily portable
- Set up within a matter of minutes and will stay standing without continuous inflation
- Raised floor panels and/or non-slip matting (both sold separately) prevent contact with contaminated shower wash off which is collected in a chemically resistant sump
- Sleeves for pumped extraction of contaminated water are included as standard
- Can be used on hard or soft standing and guy ropes are provided for securing in position
- Integral detachable groundsheet
- Two external shut off taps provide individual control of left and right hand side shower stations - shower brush connectors are always 'on' as guns & brushes have individual controls - other options on request
- Minimal training, servicing and maintenance costs

# Four Person Decontamination Shower

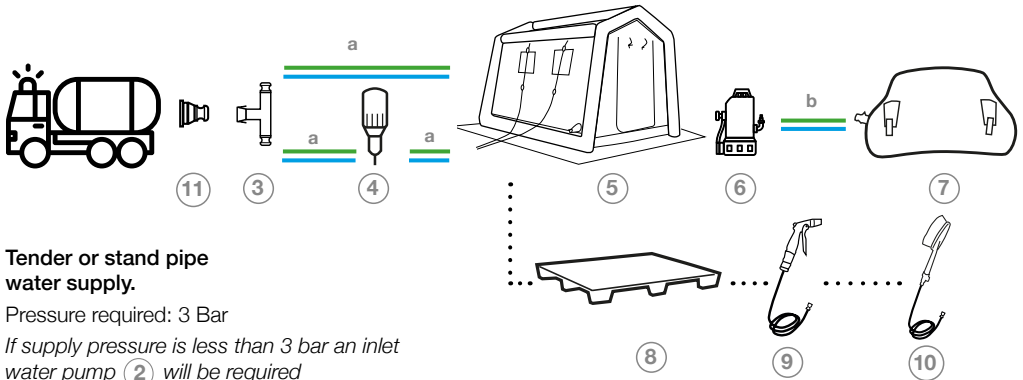
| TECHNICAL DATA                            | MD4  | MD4 WITH SUMP  |
|---|--|--|
| Product Code: (CAMLOCK Coupling)          |  DSW017     |  DSW017/002 |
| (Storz Coupling)                          |  DSW017/001 |  DSW017/004 |
| Length (cm)                               | 327  | 327 + 120 (Sump)   |
| Int. Length (cm)                          | 304  | 304  |
| Width (cm)                                | 310  | 310  |
| Int. Width (cm)                           | 250  | 250  |
| Height (cm)                               | 260  | 260  |
| Int. Height (cm): Maximum (without floor) | 235  | 235  |
| Average (with floor fitted)               | 200  | 200  |
| Working Pressure (bar)                    | 0.22   | 0.22   |
| No. of Chambers                           | 1  | 1  |
| Air Requirements (ltr)                    | 1370   | 1630   |
| Max. Water Inlet Pressure (bar)           | 3  | 3  |
| Recommended pump flow capacity (ltr)      | 5 ltr/min per nozzle   | 5 ltr/min per nozzle   |
| Number of Shower Nozzles                  | 8  | 8  |
| Number of Shower Hose/Brush Connectors    | 4  | 4  |
| Number of Tubing Sleeves                  | 4  | 4  |
| Windows & Blinds                          | 4  | 4  |
| Pack Size (cm)                            | 123 x 69 x 45  | 133 x 69 x 51.5  |
| Weight (kg)                               | 28   | 30   |

# Four Person Decontamination Shower

## SYSTEM SCHEMATIC & COMPONENTS - PILLOW TANK SUPPLIED SYSTEM



## SYSTEM SCHEMATIC & COMPONENTS - TENDER SUPPLIED SYSTEM



# Four Person Decontamination Shower

## SYSTEM COMPONENTS

- ① Clean water pillow tank - **x1**
- ② Inlet water pump - **x1**
- ③ T - Piece - **x1**
- ④ Dosatron - **x1**
- ⑤ Four Person Decon Shower - **x1**
- ⑥ Sump pump - **x1**
- ⑦ Contaminated water pillow tank - **x1**
- ⑧ Pallet floor (one with pump cutout) - **x4**
- ⑨ Hand held spray gun **x4**  
*or*
- ⑩ Hand held brush - **x4**
- ⑪ Tender coupling adapter **x1**
  - a Clean Water Hose (green) **x3**
  - b Dirty water hose (clear) **x1**

## SHOWER SUPPLIED WITH

- Valise
- Repair kit
- Detachable groundsheet
- Detachable internal partition
- Inflation hose - 1m (for use with 8 bar regulator)

## OPTIONS & ACCESSORIES

- External inflatable sump after exit door (inflates with shower)
- Customer branding
- Privacy Blinds
- Entrance & Exit Markings
- Lights & floodlights
- Portable generator
- Heater & ducting
- Ballast bags
- Patient roller conveyer

# Mass Decontamination Shower



Compact and quick to deploy, the inflatable Mass Decontamination Unit from MFC International allows for rapid response in a decontamination scenario. Fully inflatable, the Decontamination Unit can be set up in a matter of minutes, and will stay standing without continuous inflation. With no mechanical framework the shelters are relatively lightweight to transport and compact to store.



The mass Decontamination shower is internally partitioned into three lanes (male, female & assisted casualty), with pre and post decon changing areas. Raised floor panels prevent contact with contaminated shower wash-off, which is collected in a chemically resistant sump. Sleeves for pumped extraction of contaminated water are included as standard. Showers can be used on hard or soft standing, and guy ropes are provided for securing in position during inclement weather.

- Compact and easily portable
- Set up within a matter of minutes and will stay standing without continuous inflation
- The Mass decontamination unit is internally partitioned into three lanes with pre and post decon changing rooms
- Raised floor panels prevent contact with contaminated shower wash off which is collected in a chemically resistant sump
- Sleeves for pumped extraction of contaminated water are included as standard
- Can be used on hard or soft standing
- Minimal training, servicing and maintenance costs

# Mass Decontamination Shower

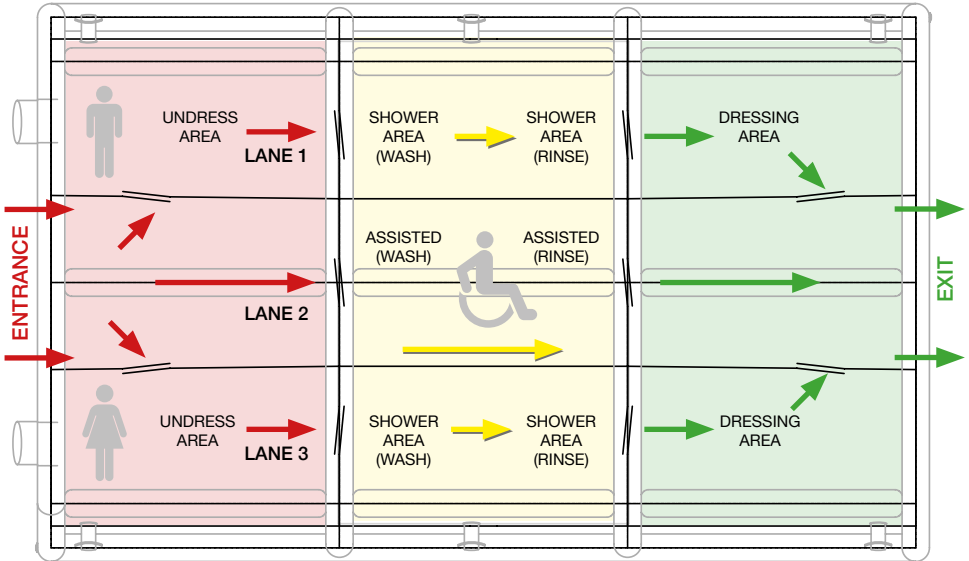
## TECHNICAL DATA

## Mass Decon Unit

|  |  |
|--|--|
| Product Code (CAMLOCK Coupling)        |  DSW026     |
| Product Code (Storz Coupling)          |  DSW026/001 |
| Length (cm)                            | 750  |
| Int. Length (cm)                       | 730  |
| Width (cm)                             | 470  |
| Int. Width (cm)                        | 410  |
| Height (cm)                            | 290  |
| Int. Height (cm)                       | 260  |
| Int. Floor Area (sq.m)                 | 30   |
| Air Requirements (ltr)                 | 3800   |
| Max. Water Inlet Pressure (bar)        | 3  |
| Recommended Pump Flow-Capacity (ltrs)  | 5 ltr/min per nozzle   |
| Number of Shower Nozzles               | 12   |
| Number of Shower Hose/Brush Connectors | 4  |
| Number of Heater Sleeves               | 2  |
| Number of Cable sleeves                | 6  |
| Pack Size (cm)                         | 160 x 80 x 60  |
| Weight (kg)                            | 110  |

# Mass Decontamination Shower

## INTERNAL LAYOUT

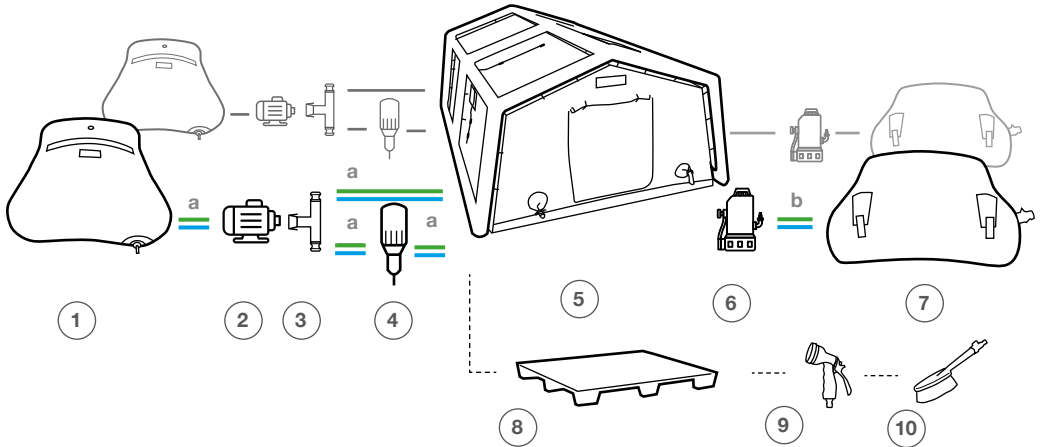


The diagram on the right shows the different compartments of the Mass Decontamination shower. It also shows how the user enters the decontamination shower and shows the direction of travel. The areas are colour coded:

- **Red** - designates the contaminated area where the user will enter the unit
- **Yellow** - designates the area where the user will wash off any contamination
- **Green** - designates the clean, post decontamination area

# Mass Decontamination Shower

## SYSTEM SCHEMATIC & COMPONENTS - PILLOW TANK SUPPLIED SYSTEM



### SYSTEM COMPONENTS

- |   |                                      |
|---|--------------------------------------|
| ① Clean water pillow tank <b>x2</b>               | ⑨ Hand held spray gun <b>x4</b>      |
| ② Inlet water pump <b>x2</b>                      | or                                   |
| ③ T - Piece <b>x2</b>                             | ⑩ Hand held brush <b>x4</b>          |
| ④ Dosatron <b>x2</b>                              | a Clean Water Hose (green) <b>x8</b> |
| ⑤ Mass Decon Shower <b>x1</b>                     | b Dirty water hose (clear) <b>x2</b> |
| ⑥ Sump pump <b>x2</b>                             |                                      |
| ⑦ Contaminated water pillow tank <b>x2</b>        |                                      |
| ⑧ Pallet floor (two with pump cutout) - <b>x8</b> |                                      |

### SUPPLIED WITH

- Valise
- Repair kit
- Detachable internal partitions
- Inflation hose - 1m (for use with 8 bar regulator)

### OPTIONS

- Customer branding
- Entrance & Exit Markings
- Lights & floodlights
- Portable generator
- Heater & ducting
- Ballast bags
- Patient roller conveyor

# Decontamination Shower Accessories

## SYSTEM COMPONENTS

1



### Clean Water Pillow Tank (1000 ltr)

- Other sizes available, see web for details

Constructed from exceptionally strong and durable PVC material, Pillow Tanks provide a reliable solution for temporary or long term water storage. Clean (Potable) water pillow tanks are suitable for the storage of drinking water.

Product code:

● WS0028/21 With Camlock Coupling

● WS0028/23 With Storz Coupling

2



### Inlet Water Pump (230V)

Our inlet water pumps are close-coupled self-priming centrifugal pumps with built-in ejector systems, designed to remain primed even in the presence of water-dissolved gases. The extensive use of pressed stainless steel ensures a high-performance, durable and lightweight pump. Suitable for use with drinking water.

Product code:

● DSA002/21 With Camlock Couplings

● DSA002/23 With Storz Couplings

3



### T-Piece

An adapter used to split the incoming water flow from a pump into separate feeds for the dosatron and rinse water shower supply

Product code:

● DSA009/22/21 With Camlock Couplings

● DSA009/23/23 With Storz Couplings

4



### Dosatron with Trolley

Installed directly into the water supply line, the Dosatron operates by using the flow of water as the power source. The water activates the Dosatron, which takes up the required percentage of cleaning/neutralising agent directly from the container and injects it into the water.

Product code:

● DSA005/21 With Camlock Couplings

● DSA005/23 With Storz Couplings

# Decontamination Shower Accessories

6



## Submersible (Sump) Pump

A submersible drainage pump with a compact footprint and an integral float switch. Ideal for use in narrow spaces where automatic operation is required, the submersible pump is suitable for transferring water containing small particles (up to 5mm). 230VAC as standard, see website for 110V product details

Product code:



DSA004/21 With Camlock Coupling



DSA004/23 With Storz Coupling

7



## Dirty (Contaminated) Water Pillow Tank (1000 ltr)

- Other sizes available, see web for details

Constructed from exceptionally strong and durable PVC material, Pillow Tanks provide a reliable solution for temporary or long term water storage.

Product code:



WS0017/21 With Camlock Coupling



WS0017/23 With Storz Coupling

8



## Pallets for Decon Floor

Our decontamination shower flooring pallets are manufactured from high-quality plastic which gives them greater stability compared to standard pallets. They are lightweight, nestable, easily portable and suitable for worldwide export. The pallets can also withstand deep freezing and steam cleaning.

Product code:

140027 Standard Pallet

DSA007 Pallet with Pump Cut-Out

9



## Spray Gun & Hose

Product code: DSA008

10



## Spray Brush & Hose

Product code: 180035

# Decontamination Shower Accessories

11



## Adapter

- To connect fire tender or stand pipe outlet to the decon system in place of a pillow tank and pump.

Product code:

*Various models available depending on outlet coupling - Contact sales for details & product codes*

## HOSES



### a Green Clean Water Hose (2m)

Used to connect between the clean water supply components and the shower, the clean water hose has a 25mm inside diameter and 33 mm outside diameter. See website for full details and other lengths.

Product code:

● HS-05-02-02-22-22 With Camlock Couplings

● HS-05-02-02-23-23 With Storz Couplings

### b Clear Dirty Water Hose (2m)

Used to connect between the sump pump and the dirty water pillow tank, the dirty water hose has a 25mm inside diameter and 33 mm outside diameter. See website for full details and other lengths.

Product code:

● HS-06-06-02-22-22 With Camlock Couplings

● HS-06-06-02-23-23 With Storz Couplings

## ACCESSORIES



## Generator

### Honda 5.5kW 4-stroke petrol

Simple yet rugged design features also make the EG5500CL easy to use, with centralised controls and outlets, full tubular frame and a large fuel tank to give 8 hours of continuous running time at rated power. Powered by the ultra reliable Honda GX390T2 4-stroke petrol engine which uses a recoil starter mechanism is light and smooth and starts easily every time.

Product Code: EG5500CL

# Decontamination Shower Accessories



## Waterproof LED Exterior Rechargeable Flood Lights - Max 16,000 Lumens

Designed for temporary floodlighting of large areas. Easy to transport and assemble. Quick and easy to setup and can illuminate the scene for up to 48 hours.

Product Code: NSSOLARISPRO



## Electric Inflator

Bravo 2000 - 2kW, 230VAC

The Bravo 2000 electric inflator consists of a main motor and a supplementary (booster) motor, which increases the capacity and pressure. The two motors can run simultaneously to obtain maximum capacity and pressure. On the Bravo 2000, you can press the orange button to just run the main motor, or you can press the red button to switch on the booster to help obtain maximum performance. Both motors are protected by thermal fuses.

Product Code: 180026)

*Equipment for inflation from compressed air cylinder also available*



## Waterproof LED Interior Lights

23W, 2300 Lumens

Specialist LED lamps for use in inflatable shelters and decontamination showers. These lamps feature a durable waterproof construction and using the hanging kit (sold separately), they secure easily around the tubes of the shelter frame or hang from the shower.

Product Code: SLZ2323/5/01DWD - IP67 Lamp  
SLZ005 - Hanging kit

# Decontamination Shower Accessories



## Heater & Ducting

### Small heater - for a single shower 32kw heat output

Portable air heater for use with the MFC range of shelters and decontamination showers. The HEYLO KS30T is an easy to use portable oil heater with a rated heat output of 32kW.

The heater is positioned outside the shelter and the heated air is fed into the shelter through the heater sleeve via a heat resistant hose

Product Code: 1101503 - Heylo KS30T Heater  
91250069 - High temp air hose



### Larger Heater - up to three showers/shelters - 83kW heat output

Mobile air heater for use with the MFC range of shelters and decontamination showers. The HEYLO K80 is an easy to use mobile oil heater with a rated heat output of 83kW.

The heater is positioned outside the shelter and the heated air is fed into the shelter through the heater sleeve via a heat resistant hose (see accessories) .

Product Code: 1101600 - Heylo K80)  
1200011 - Outlet plate)  
1250081 - Air hose - 7.5m)  
1250091 - Hose clamps)

## Patient roller conveyor - 9m



A non-powered, flexible roller conveyor on castors that is adjustable in both height and length. This flexible roller conveyor facilitates the handling of non-ambulatory casualties through a decontamination shower.

Product Code: CON9000



## Water Heater

A portable multi-fuel water heater with a high flow rate specifically designed to supply tepid water for decontamination showers. It has the capability to heat cold water from a pressure of between 1 and 5 bar at a flow rate of 75 litres per minute and is built into a trolley framework for ease of site deployment and manoeuvrability.

Product Code: HEAT75



**MFC**International

*by* RESPIREX

ENGINEERED INFLATABLE PRODUCT SOLUTIONS

MFC International

Naval Yard

Tonypandy

Rhondda Cynon Taff

CF40 1JS

: +44 (0) 1443 433 075

: [sales@mfc-international.com](mailto:sales@mfc-international.com)

: [www.mfc-international.com](http://www.mfc-international.com)

A Respirex International Limited Group Company

© MFC International 2022